

Service
Service
Service



Service Manual



For repair information we refer to Service Manuals FR996/17S (3104 215 50170) and FR975/17 (3104 215 50060).

The FR999/17 is equal to FR996/17S except the following:

Mechanical: following items are changed
200 3103 308 14001 FRONT CABINET FR999, SILVER, PRINTED

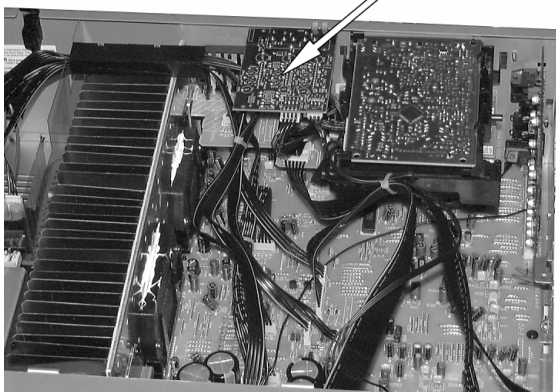
Electrical:

Mono Board: loudspeaker socket changed
1304 4822 265 11607 LOUDSPEAKER SOCKET, 6x CLICKFIT

VIDEO SWITCH BOARD added

FR999

Video Switch Board



For Schematic Diagram, Assembly Drawing and partslist see following pages.

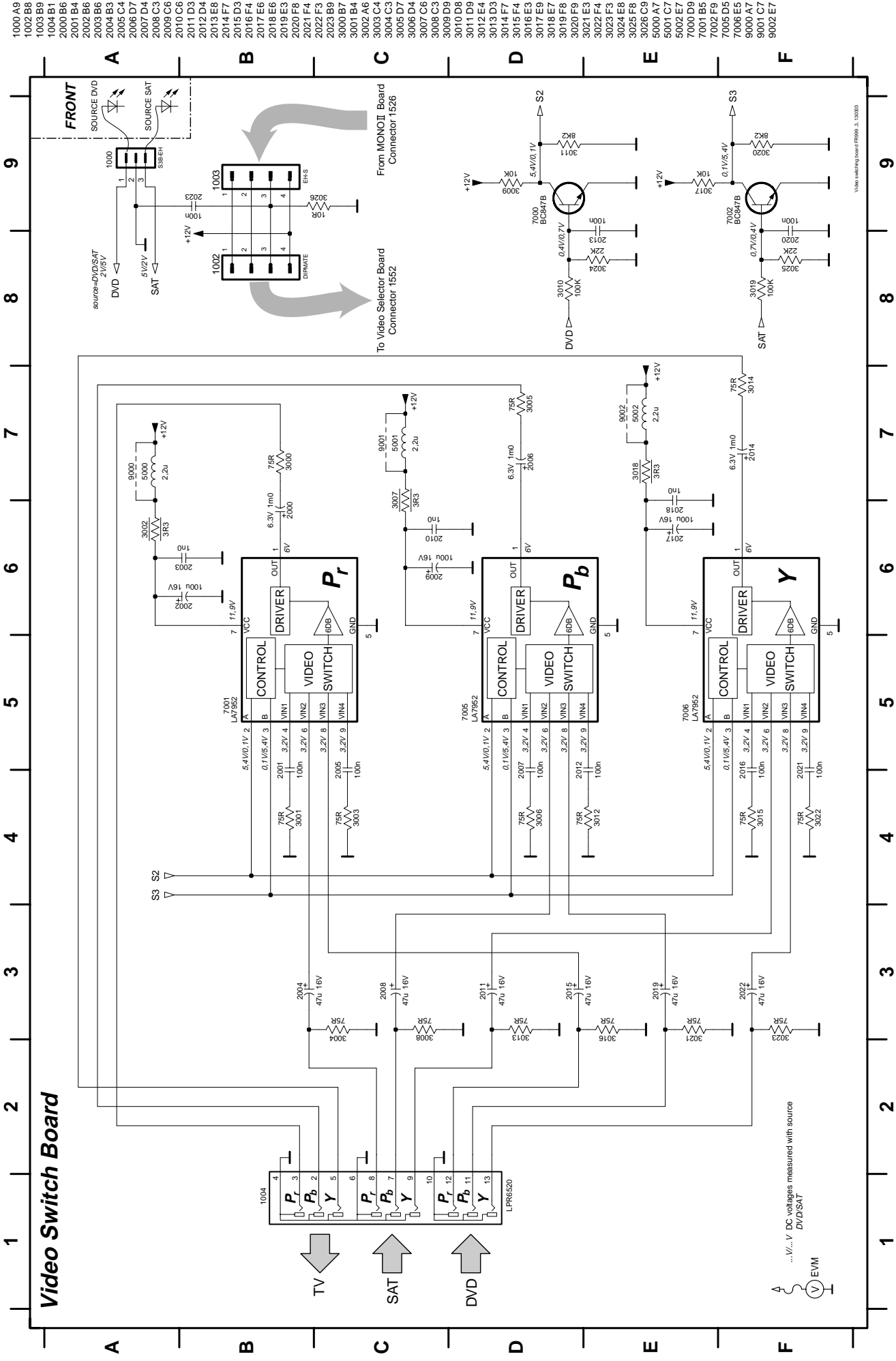
© Copyright 2003 Philips Consumer Electronics B.V. Eindhoven, The Netherlands
All rights reserved. No part of this publication may be reproduced, stored in a retrieval system or transmitted, in any form or by any means, electronic, mechanical, photocopying, or otherwise without the prior permission of Philips.

Published by MS 0311 Service Audio Printed in The Netherlands Subject to modification

GB 3103 785 25230



PHILIPS

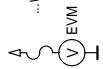


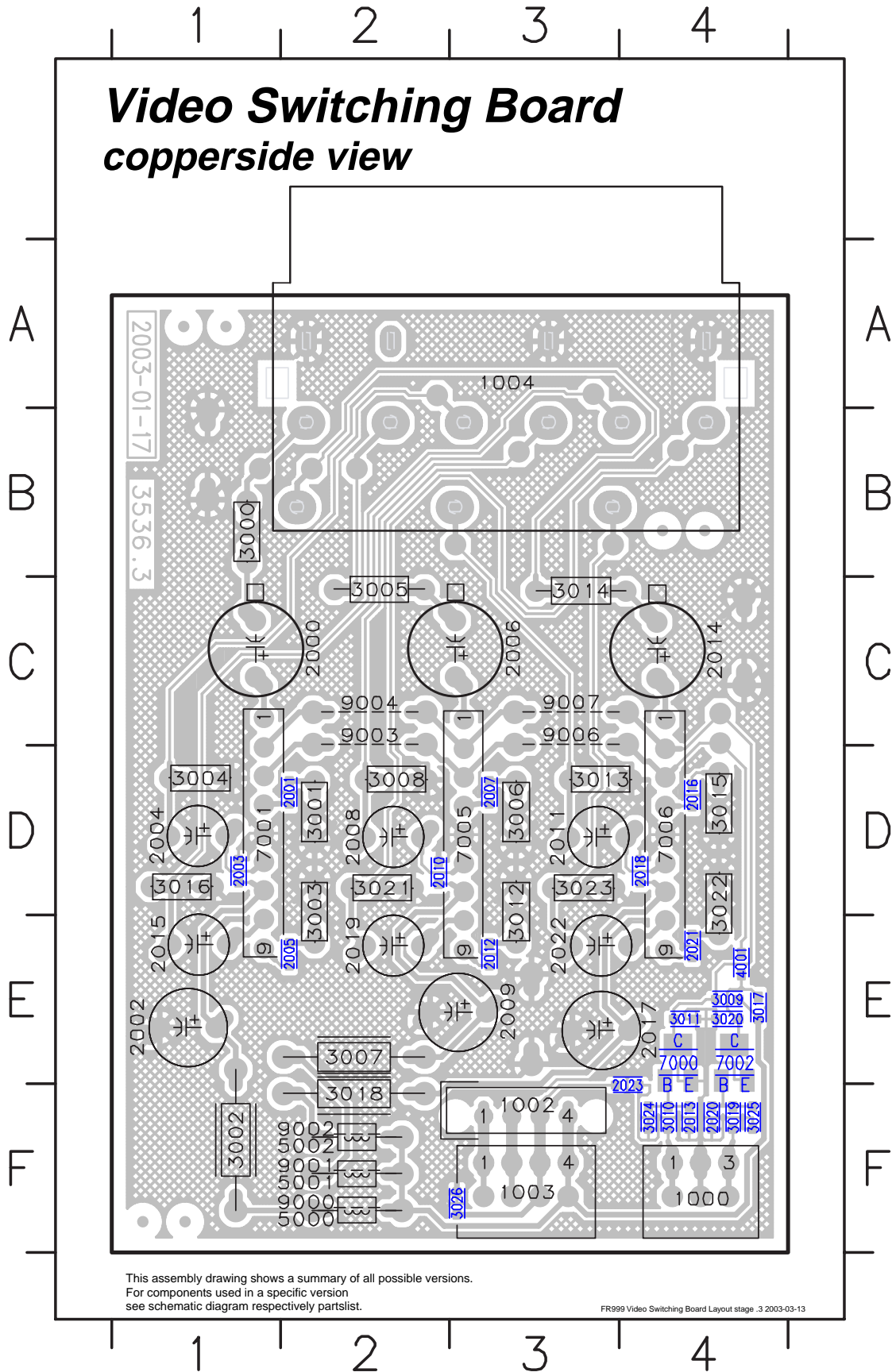
1000 A9
1002 B8
1003 B9
1004 B1
2000 B6
2001 B4
2002 B6
2003 B6
2004 B3
2005 C4
2006 D7
2007 D4
2008 C3
2009 C6
2010 C6
2011 D3
2012 D4
2013 E8
2014 F7
2015 D3
2016 F4
2017 E6
2018 E6
2019 E3
2020 F8
2021 F4
2022 F3
2023 B9
3000 B7
3001 B4
3002 A6
3003 C4
3004 C3
3005 D7
3006 D4
3007 C6
3008 C3
3008 D9
3009 D9
3010 D8
3011 D9
3012 E4
3013 D3
3014 F7
3015 F4
3016 E3
3017 E9
3018 E7
3019 F8
3020 F9
3021 E3
3022 F4
3023 F3
3024 E8
3025 F8
3026 C9
5000 A7
5001 C7
5002 E7
7000 D9
7001 B5
7002 F9
7005 D5
7006 E5
9000 A7
9001 C7
9002 E7

Video Switch Board

Video Switch Board P9000-3, 130303

...V...V DC voltages measured with source
DVD/SAT





ELECTRICAL PARTSLIST VIDEO SWITCH BOARD FR999

MISCELLANEOUS

1004 2422 026 05447 SOCKET 9x CINCH

CAPACITORS

2000	4822 124 40184	1000µF	20%	10V
2001 ©	2238 586 59812	100nF	10%	50V
2002	4822 124 23052	100µF	20%	16V
2003 ©	5322 126 11578	1nF	10%	63V
2004	4822 124 80231	47µF	20%	16V
2005 ©	2238 586 59812	100nF	10%	50V
2006	4822 124 40184	1000µF	20%	10V
2007 ©	2238 586 59812	100nF	10%	50V
2008	4822 124 80231	47µF	20%	16V
2009	4822 124 23052	100µF	20%	16V
2010 ©	5322 126 11578	1nF	10%	63V
2011	4822 124 80231	47µF	20%	16V
2012 ©	2238 586 59812	100nF	10%	50V
2013 ©	2238 586 59812	100nF	10%	50V
2014	4822 124 40184	1000µF	20%	10V
2015	4822 124 80231	47µF	20%	16V
2016 ©	2238 586 59812	100nF	10%	50V
2017	4822 124 23052	100µF	20%	16V
2018 ©	5322 126 11578	1nF	10%	63V
2019	4822 124 80231	47µF	20%	16V
2020 ©	2238 586 59812	100nF	10%	50V
2021 ©	2238 586 59812	100nF	10%	50V
2022	4822 124 80231	47µF	20%	16V
2023 ©	2238 586 59812	100nF	10%	50V

RESISTORS

3000	4822 116 52201	75Ω	5%	0,5W
3001	4822 116 52201	75Ω	5%	0,5W
3002	4822 052 10338	3,3Ω	5%	NFR25
3003	4822 116 52201	75Ω	5%	0,5W
3004	4822 116 52201	75Ω	5%	0,5W
3005	4822 116 52201	75Ω	5%	0,5W
3006	4822 116 52201	75Ω	5%	0,5W
3007	4822 052 10338	3,3Ω	5%	NFR25
3008	4822 116 52201	75Ω	5%	0,5W
3009 ©	4822 051 30103	10kΩ	5%	0,06W
3010 ©	4822 117 13632	100kΩ	1%	0,06W
3011 ©	4822 117 12902	8,2kΩ	1%	0,06W
3012	4822 116 52201	75Ω	5%	0,5W
3013	4822 116 52201	75Ω	5%	0,5W
3014	4822 116 52201	75Ω	5%	0,5W
3015	4822 116 52201	75Ω	5%	0,5W
3016	4822 116 52201	75Ω	5%	0,5W
3017 ©	4822 051 30103	10kΩ	5%	0,06W
3018	4822 052 10338	3,3Ω	5%	NFR25
3019 ©	4822 117 13632	100kΩ	1%	0,06W
3020 ©	4822 117 12902	8,2kΩ	1%	0,06W
3021	4822 116 52201	75Ω	5%	0,5W
3022	4822 116 52201	75Ω	5%	0,5W
3023	4822 116 52201	75Ω	5%	0,5W
3024 ©	4822 051 30223	22kΩ	5%	0,06W
3025 ©	4822 051 30223	22kΩ	5%	0,06W
3026 ©	4822 051 30109	10Ω	5%	0,06W
4001 ©	4822 051 30008	CHIP JUMPER 0603		

COILS

5000	4822 157 62552	2,2µH
5001	4822 157 62552	2,2µH
5002	4822 157 62552	2,2µH

TRANSISTORS

7000 ©	5322 130 60159	BC846B
7002 ©	5322 130 60159	BC846B

INTEGRATED CIRCUITS

7001	9322 193 36682	LA7952 Video switch
7005	9322 193 36682	LA7952 Video switch
7006	9322 193 36682	LA7952 Video switch